

DECON FOR HEROES™

EASY DECONTAMINATION
OF COMPLETE SCBA.

Developed in cooperation with



HEALTHY
FIREFIGHTERS



Solo Rescue®
DECON WASHER

“Everything is clean and free from contamination in just a few minutes.”

CONTAMINATED GEAR IS A CONSTANT HEALTH RISK.

The SCBA (Self Contained Breathing Apparatus) and protective gear are a lifeline for firefighters in their daily work of saving the lives of others.

When fighting a fire, soot particles and combustion gases are absorbed by the protective gear. This contamination then poses a health risk to the firefighter. Therefore it is important to decontaminate the protective gear immediately upon return to the station.

CLEANING BY HAND IS TIME CONSUMING, HARD WORK AND POSES A HEALTH RISK.

Cleaning contaminated gear by hand takes time (about 30 minutes/set) and is hardly what you want to be doing after a demanding operation in the field. Cleaning by hand also means that the crew is yet again exposed to the residues from combustion gases, soot particles and toxins. Only this time, unprotected.

Studies have shown that prolonged exposure to these toxins put firefighters at greater risk of developing cancer than other professional groups. Establishing procedures to handle contaminated gear in a controlled and safe way is one way of minimizing this risk.



SOLO RESCUE® – CLEAN GEAR IN A FEW MINUTES.

The Solo Rescue cleans SCBAs and protective gear of residue from combustion gases, soot particles and other toxins in just a few minutes. It can clean steel, composite, rubber, fabric, plastic, etc. all in a mechanical, self contained process.

IMPROVED WORKING ENVIRONMENT AND MINIMISED CONTACT TIME.

The Solo Rescue offers a quick, easy and safe method of cleaning protective gear in a sealed compartment. This ergonomic process minimizes manual contact with contaminated materials.

The Solo Rescue does the hard work for you. This significantly improves the work environment for rescue services personnel.

DEVELOPED IN CLOSE COOPERATION WITH THE SWEDISH RESCUE SERVICE.

The Solo Rescue was developed in close cooperation with the Swedish Rescue Services. The goal of this partnership was to develop a healthier way to decontaminate protective gear. The Solo Rescue has a durable stainless steel interior with heavy duty stainless steel accessories for cleaning SCBAs, gloves, helmets, and boots.

COMPACT, EASY AND EFFICIENT.

Fits in less than 11 ft².

Solo Rescue is a compact machine with a lower door that folds out, acting as a loading table when opened. The machine occupies less than 11 ft² of space.

Self-contained cleaning process.

The entire cleaning process is carried out inside in the machine, ensuring minimum contact time for the staff.

Two efficient wash programs.

Gear is cleaned in just a few minutes. Choose between a 3 min cycle for gloves and helmets or a 8 min cycle for SCBAs.

Watch our Solo Rescue videos on YouTube and follow us on LinkedIn for latest information.

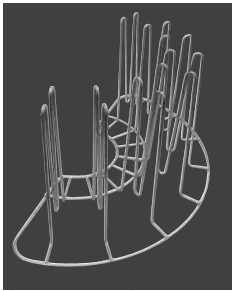


"Firefighter proof" and easy to use - developed to fit the Fire Rescue Services.

INCLUDED.

All you need to clean single and double cylinder SBCA's is included with standard delivery of Solo Rescue®.

The heavy duty basket is used at all times and is paired with accessories to wash different gear. The SCBA holders are placed over the center bracket of the basket. The gear holder for gloves helmets and boots is placed in the bottom of the basket.



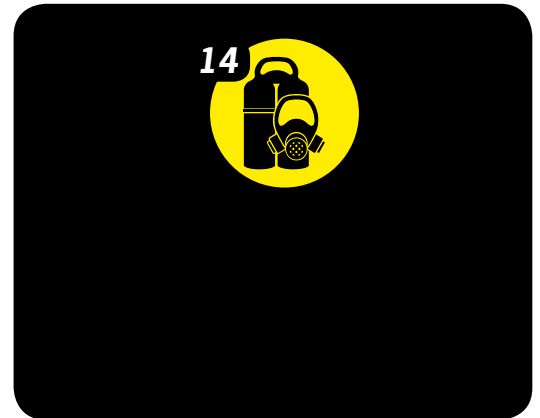
Gear holder for masks, helmets, gloves and boots. One holder is included.



Holder for SCBA singel/ double cylinders. One holder is included.



Holder for SCBA jumbo cylinders. One holder is included.



Heavy duty basket with holder for SCBA singel/ double cylinders.



Heavy duty basket with holder for SCBA singel/double cylinders and one gear holder for masks, helmets, gloves and/or boots.



Heavy duty basket with two gear holders for masks, helmets, gloves and/or boots (one is included).



Heavy duty basket with one gear holder for masks, helmets, gloves and/or boots.

OPTIONAL.

OPTIONAL GEAR HOLDER FOR 60 HELMETS, 120 PAIRS OF GLOVES OR 40 PAIRS OF BOOTS* (capacity/hour).

Use the gear holder accessory to load and wash helmets, gloves and boots. It fits in the bottom of the heavy duty basket. Full capacity requires two gear holders (one is included as standard equipment).



HELMETS* - capacity/hour.

1 gear holder: up to 30 helmets.
2 gear holders: up to 60 helmets.
(max. 5 helmets/basket)



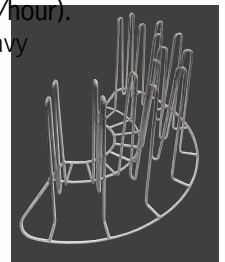
GLOVES* - capacity/hour.

1 gear holder: up to 60 pairs of gloves.
2 gear holders: up to 120 pairs of gloves.



BOOTS* - capacity/hour.

1 gear holder: up to 20 pairs of boots.
2 gear holders: up to 40 pairs of boots.

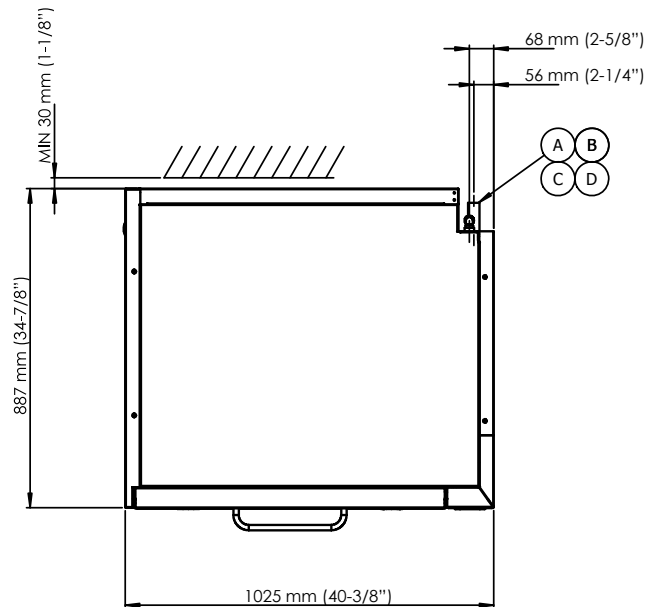
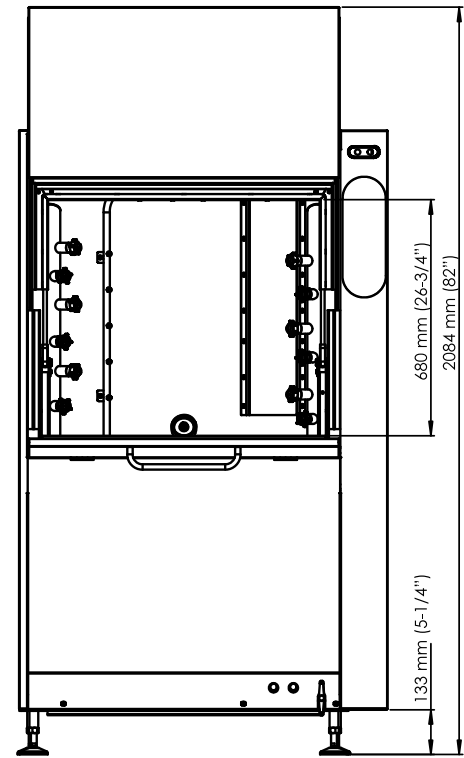
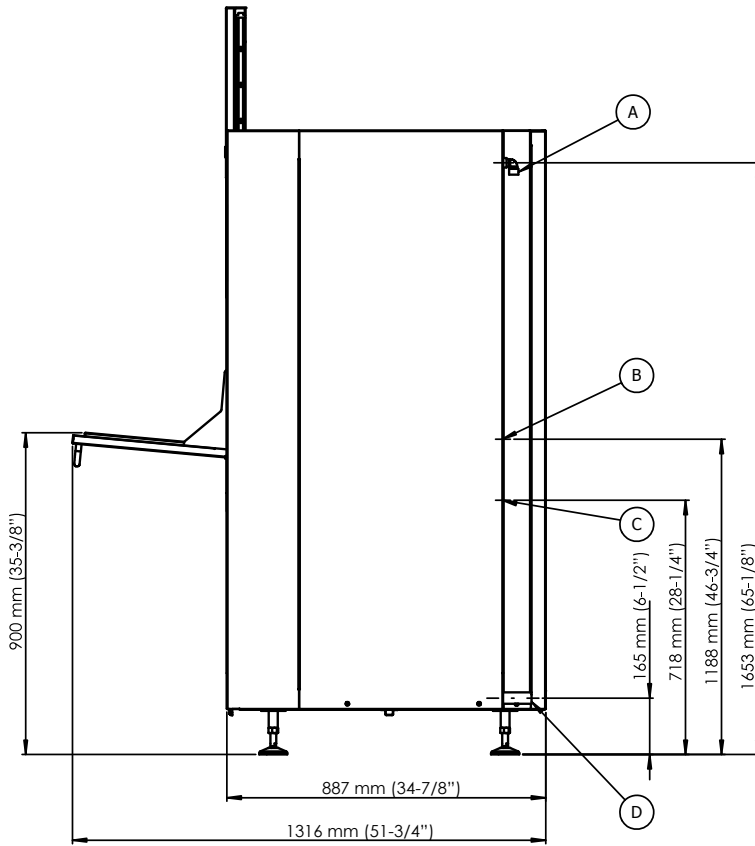


* Always follow the manufacturers washing guidelines. In case of uncertainty, contact your supplier for advice.

INSTALLATION DRAWING.

A. Water connection: 3-10 gpg, 4 gals./min B. Detergent connection C. Electrical connection: 40 A D. Drain: Ø 1-1/4". Minimum capacity 13 gals./min
 Important Note: Ventilation capacity: 300 CFM.

Important Note: All dimensions from floor +/- 1" due to adjustable feet



TECHNICAL SPECIFICATION	Hot water connection (standard) 3-ph/208 V/60Hz 3-ph/240 V/60Hz
Wash program lengths	3 min - gloves/helmets/boots 8 min - SCBA
Normal capacity per hour program length includes handling	14 SCBA* or up to 60 helmets, or up to 120 pairs of gloves, or 40 pairs of boots
Wash temperature	110-131 °F
Water supply	3-10 gpg
Pressure, incoming water	14,5-87 psi
External dimensions H x W x D	69" (open 82") x 40" x 35" (open 52")
Fuse	40 A

* single or double cylinders, with or without breathing mask.



RESCUE INTELLITECH Inc.
 19308 Morton Road, Suite 105, Katy, TX 77449
 Email: sales@rescue-tech.com
 www.solorescue.com
 Phone: 1-832-321-3260



Manufactured in Sweden in a CO₂ neutral production process according to ISO 9001:215 and ISO 14001:215.

